



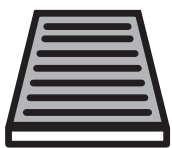
PROTECT

combined with active carbon



715628

FH196



CA

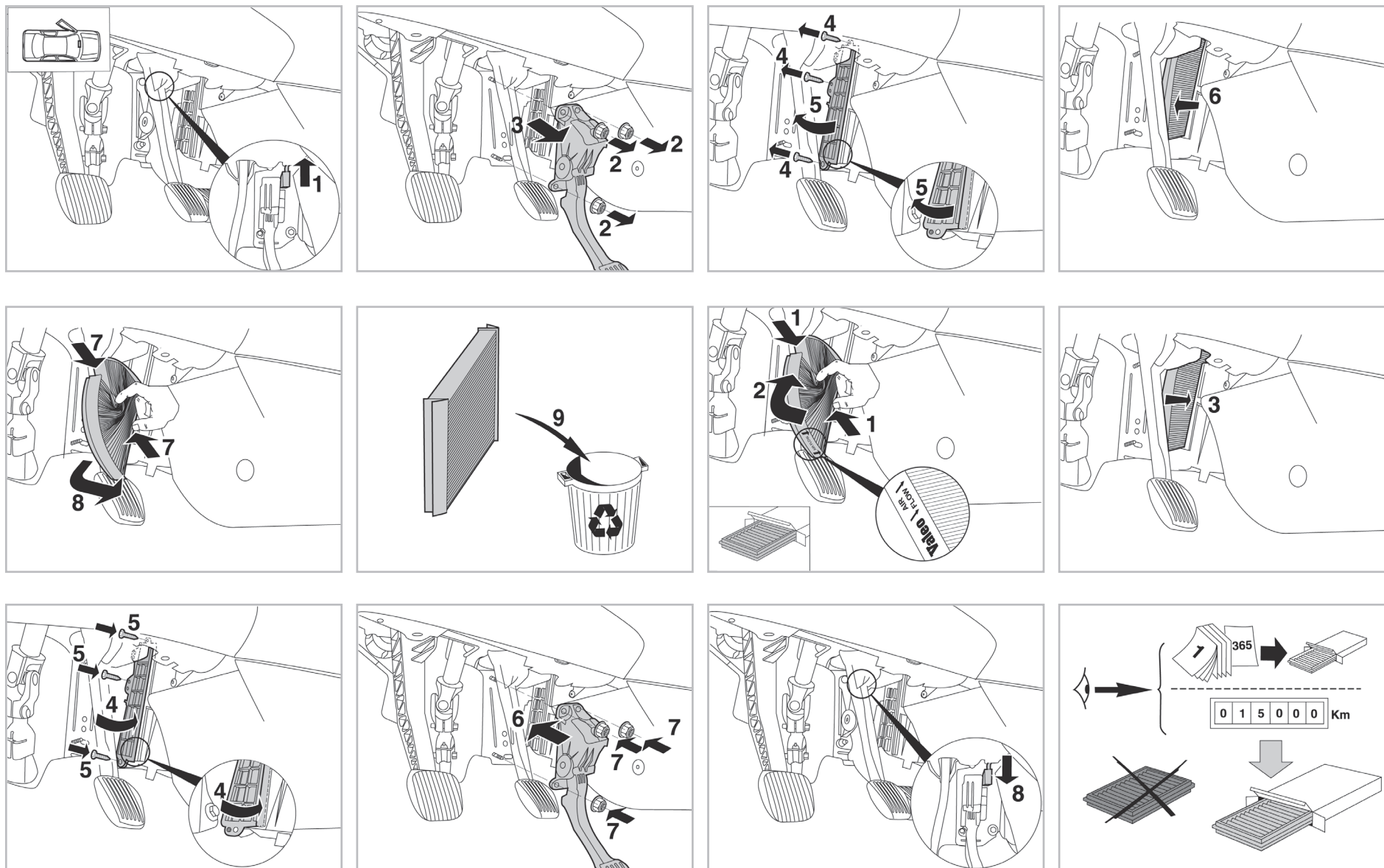
WANT TO KNOW MORE?



www.valeo-techassist.com

FOR
FORD

FOCUS II A/C+/- (09/ 2004 > 02/ 2011)



Valeo Service - Société par Actions simplifiée - Capital de 12 900 000€ - 70, rue Playel, 93285 Saint-Denis Cedex - France - B 306 486 408 RCS Bobigny



PROTECT

combined with active carbon



FOR
VOLVO

C30 A/C+/- (10/06 >) / C70 A/C+ (01/06 >) / S40 A/C- (03/04 >) / V50 A/C+/- (03/04 >)

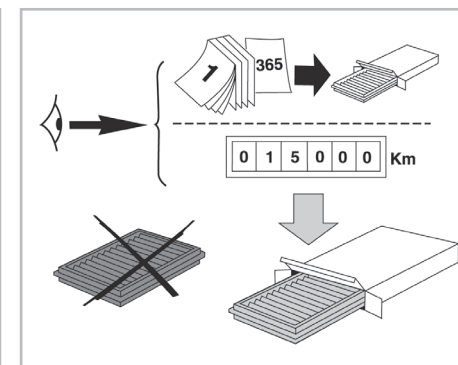
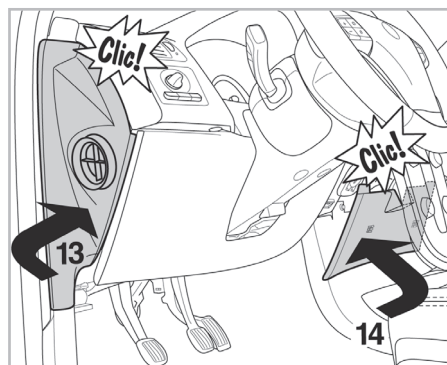
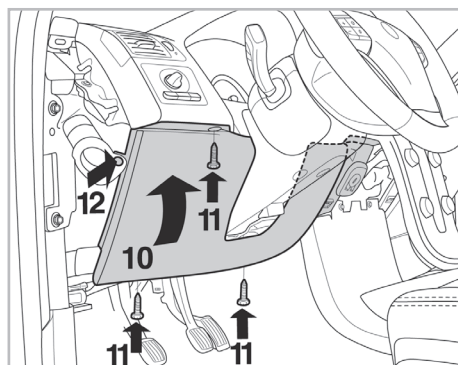
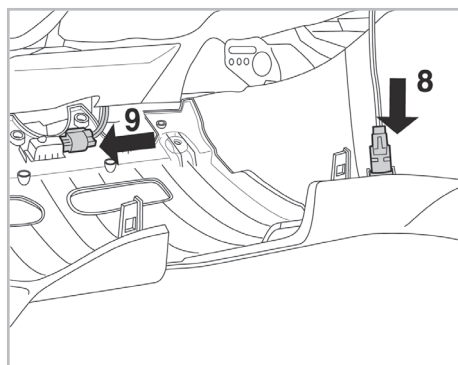
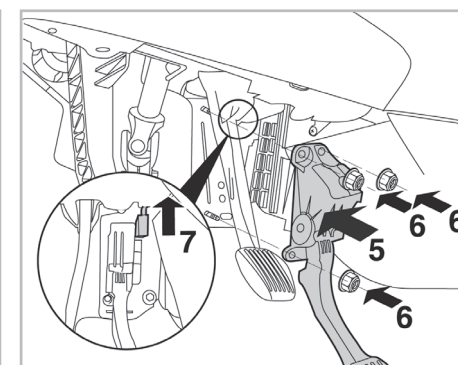
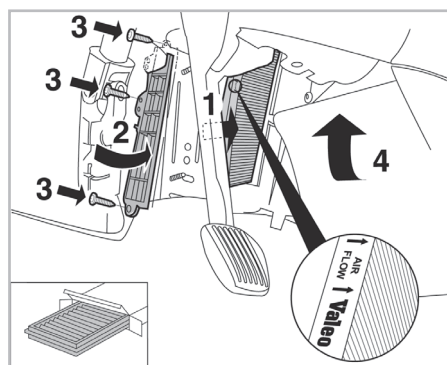
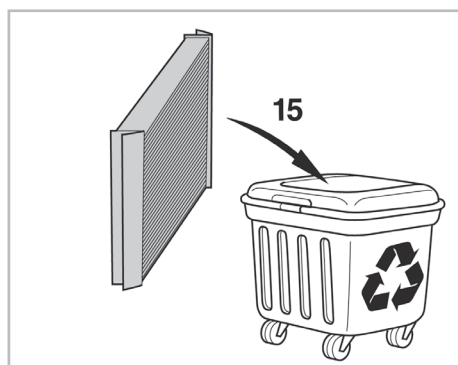
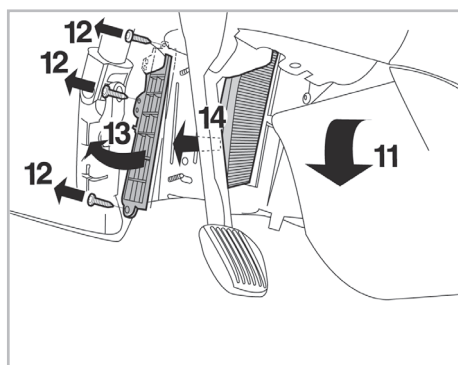
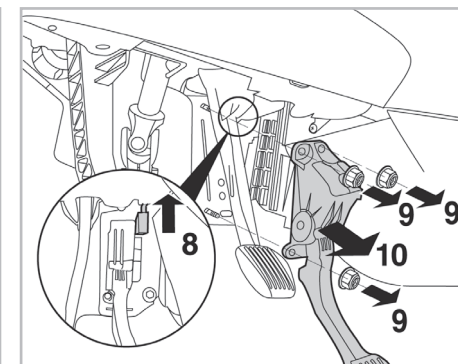
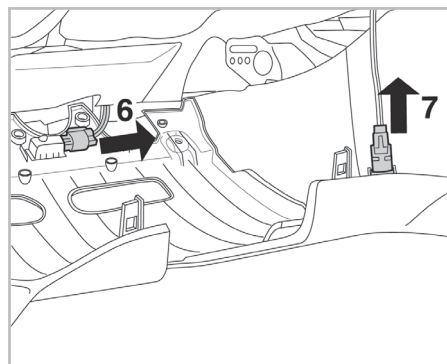
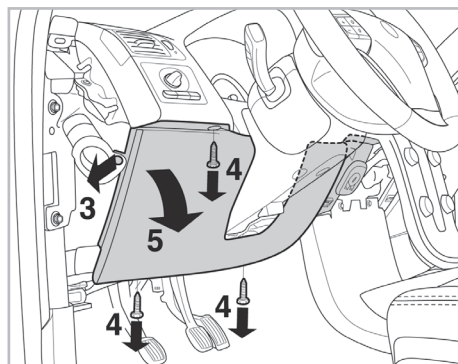
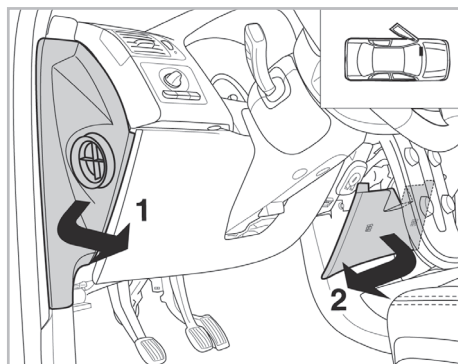


715628

FH196



CA



WANT TO KNOW MORE?



www.valeo-techassist.com

Valeo Service - Société par Actions simplifiée - Capital de 12 900 000 € - 70, rue Playel, 93285 Saint-Denis Cedex - France - B 306 486 408 RCS Bobigny